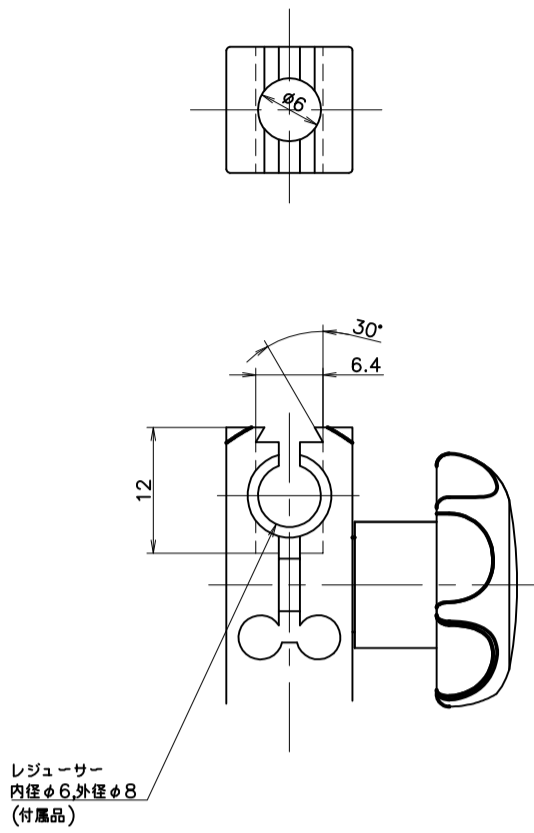
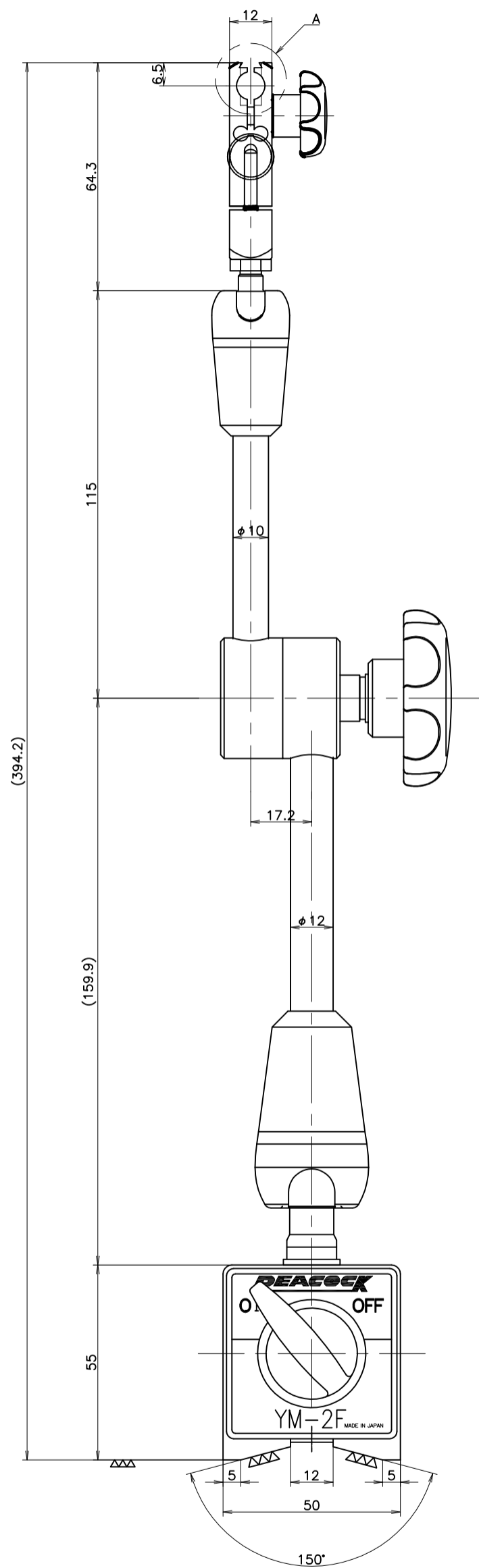


Model YM-2F Magnetic Stand



A部詳細図 S=2/1



(394.2)

(159.9)

